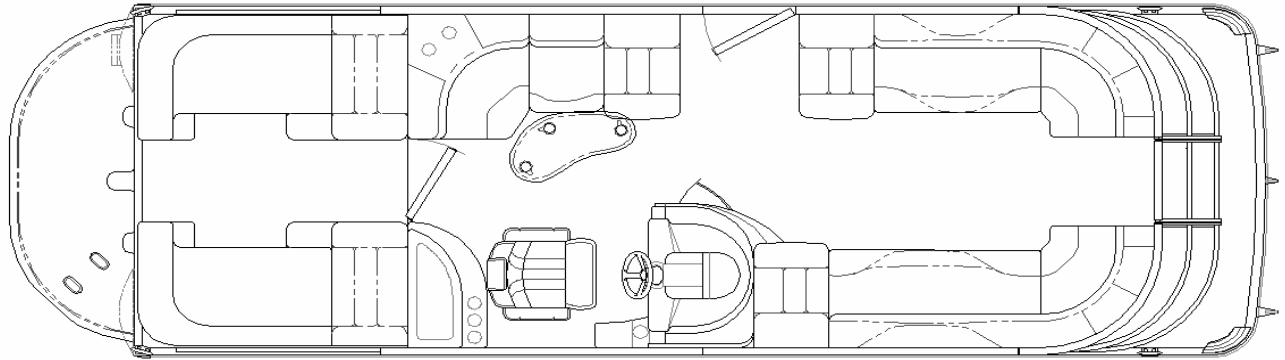


2575 QCW I/O

Specifications:		3-Tubes	
LOA.....	27' 2"	Max. HP Capacity.....	425hp
Pontoon Length.....	25' 6"	Approx. Hull Weight.....	4032 lbs plus engine
Deck Length.....	24' 11"	Person Capacity.....	13 / 1760 lbs
Deck Width.....	8' 6"	Hull Gauge	0.125
Pontoon Size.....	25" / 32" ctr	Elliptical Gauge.....	0.100
Pontoon Gauge.....	0.09		



Standard Features:

Exterior

10' Bimini Top w/ Embroidered Boot,
Quick Release Fittings & 1.25" Frame
6" Custom BENNINGTON Stainless Steel Cleats
2 - 25" Pontoons w/32" Center Elliptical Tube
Anodized, Raised Rails For Drainage
Bimini Trailing Struts
Fiberglass Swim Platform w/Ladder
Laser Cut Bennington Thresholds @ Gates
Heavy Duty Rub Rail
Playpen Cover - Surlast
Pontoon Skirting
Raised Chrome Letter Logo's & Model Designators
Rail System w/Crowned top rail, wire verticals &
polished stainless steel corners (DRP Compatible)
Stainless Deck Bolts
Stainless Steel Corner Castings
Stainless Steel Light Housings w/LED Docking Lights
Stainless Steel Ski Pylon (removable)
Stern Entry

Upgraded Graphics - new roll stripe

Interior

3 Chaise Lounges w/ Storage & Ventilation
62 Gallon in Hull Center Mounted Fuel Tank
Aft facing Super Lounges with Center Walk Thru
Design on Power Actuated Engine Hatch Lift System
Changing Room Under Port Lounge w/color matched canvas
Courtesy Light (1)
Fire Extinguisher
Full Length Release Rod for Engine Cover Actuator

High Performance Palm Carpet

LED Mood Lighting
Mahogany Kidney Table
Mid Ship Spring Line Mooring Eyes
Patented Incliner Seating (2 in bow of boat & 1 Port Aft)
Portable Cup Holders (2 cup removable w/mahogany)
Reclining Helm Seat (redesigned)

Interior - continued

Seat hinges powder coated Java

Stainless Steel Cupholders
Under Seat Storage Tray/ Paper Towel Holder
Upholstered Gate Panels
Waste Container In Chaise Lounge

Console Features:

12 Volt Outlet (15 Amp)
41" Console Cap
Adjustable Height Pedestal @ Helm
Analog gauges w/paddle wheel speedometer & fish graph
Deluxe Wheel
Garmin Depth Finder
Locking Side Access Storage W/ Soft Cooler
Locking Glovebox
One Piece Fiberglass Console Base
Sony M6 Series Stereo w/USB Port & Kicker Speakers

Windshield (modified design)

Performance:

Battery Switch relocated on Electrical
Distribution Panel in Helm Storage Compartment
Bilge Blower
Bilge Pump, manual/auto
Lifting Strakes, Foils, Rounded Keels
Hydraulic Actuated Power Steering
Easy Access Engine Compartment
w/ Composite Transom
Rough Water Package
Underdeck Wave Shield