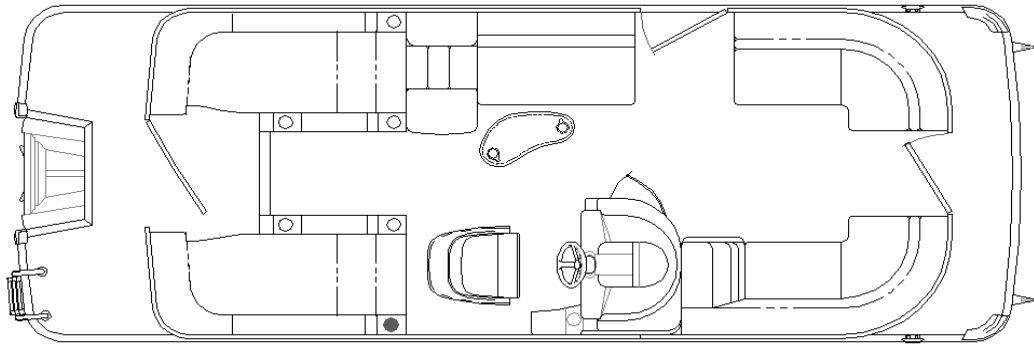


2250GCW

Specifications:		2-25" Tubes	Express Pkg.	2 - Ellip Tubes	3- 25" Tubes	ESP Pkg
LOA.....	24' 2"	Max. HP Capacity.....	150 hp	150 hp	150 hp	225 hp
Pontoon Length.....	22' 6"	Approx. Hull Weight.....	2244 lbs	2244 lbs	2394 lbs	2724 lbs
Deck Length.....	23' 4"	Person Capacity.....	13 / 1762 lbs	13 / 1762 lbs	13 / 1762 lbs	12 / 1680 lbs
Deck Width.....	8' 6"					
Pontoon Diameter.....	25"					
Pontoon Gauge.....	0.08					



(Has Extended Transom just like "I")

Standard Features:

Exterior

10' Bimini Top w/ Embroidered Boot, Quick Release Fittings & 1.25" Frame
 25" Pontoons
 6" Stainless Steel Cleats
 Anodized, Raised Rails for Drainage
 Bimini Trailer Struts
16" On-center Main Cross Members
Docking lights with color matched housings
 Full Length Pontoon Skirting
 Large Radius Bow Rails with 24" Bow Gate
Panels to top rail (Excluding stern)
Playpen Cover - Surlast
Rail system - Angled top rail verticals
Seat hinges powder coated Java
 Stainless Deck Bolts
 Stainless Steel Corner Castings
Stainless Steel Ring Cup holders
 Underdeck Spray Deflectors
 Vinyl Aft Floor, Extended Aft Deck w/ Telescoping ladder,
& Stainless Steel Aft Boarding Handles

Interior

2 Chaise Lounges w/ Storage & Ventilation
 2 Aft facing Super Lounges w/ storage
 25 Gallon Starboard Fuel Tank
 Courtesy Light (1)
 Fire Extinguisher
High Performance Palm Carpet
 Kidney Table
Captain Seat w/ Slider/Swivel
Seat hinges powder coated Java
 Vinyl Floor in Stern
 Waste Container In Chaise Lounge

Console Features:
41" Console
 12 Volt Receptacle
 Faria Gauges w/ Sealed Connectors
 Helm Courtesy Light
 Instrumentation: Mahogany Panel
 Includes: Tachometer, Trim,
 & Fuel Gauge
 Lockable Console Door
 Rocker Switches w/ dash mounted breakers
 Soft Cooler
Sony GT Series CD - MP3, 4 speakers
w/ color matched speaker grills
Tiger Polished Steering Wheel
Tilt Steering
 Windshield