

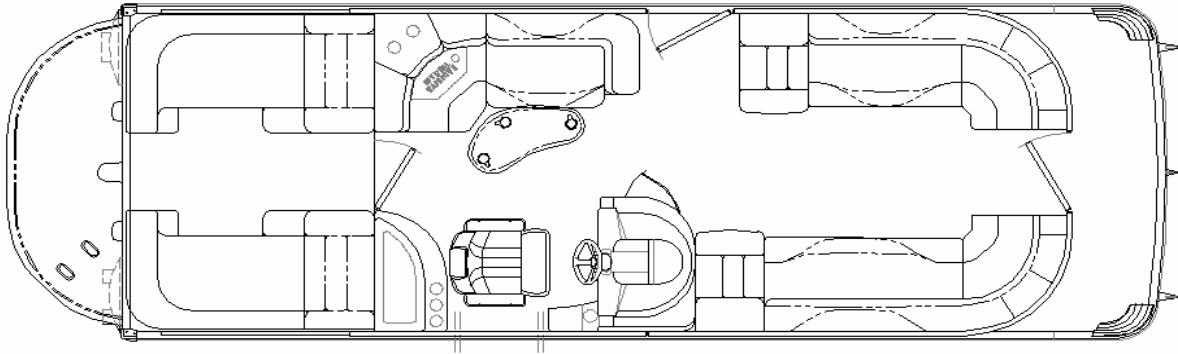
2575 RCW I/O

Specifications:

LOA.....	27' 2"
Pontoon Length.....	25' 6"
Deck Length.....	24' 11"
Deck Width.....	8' 6"
Pontoon Size.....	25" / 32" ctr
Pontoon Gauge.....	0.09

3-Tubes ESP

Max. HP Capacity.....	320hp
Approx. Hull Weight.....	3648 lbs plus engine
Person Capacity.....	13 / 1870 lbs
Hull Gauge	0.125
Elliptical Gauge.....	0.100



Standard Features:

Exterior

10' Bimini Top w/ Embroidered Boot, Quick Release Fittings & 1.25" Frame
6" Custom BENNINGTON Stainless Steel Cleats
2 - 25" Pontoons w/32" Center Elliptical Tube
Anodized, Raised Rails For Drainage
Bimini Trailing Struts
Docking lights with color matched housings
Fiberglass Swim Platform w/Ladder
Laser Cut Bennington Thresholds @ Gates
Heavy Duty Rub Rail
Mid Ship Spring Line Mooring Eyes
Panels to top rail
Playpen Cover -Surlast
Pontoon Skirting
Raised Chrome Letter Logo's & Model Designators
Stainless Deck Bolts
Stainless Steel Corner Castings
Stainless Steel Ski Pylon (removable)
Streamline Rail System
Stern Entry

Interior

2 Chaise Lounges w/ Storage & Ventilation
62 Gallon in Hull Center Mounted Fuel Tank
Aft facing Super Lounges with Center Walk Thru
Design on Power Actuated Engine Hatch Lift System
Changing Room Under Port Lounge w/color matched canvas - Power Actuated
Courtesy Light (1)
Fire Extinguisher
High Performance Palm Carpet
LED Mood Lighting
Mahogany Kidney Table
Portable Cup Holders (2 cup removable w/mahogany)
Reclining Helm Seat (redesigned)

Interior - continued

Seat hinges powder coated Java
Stainless Steel Cupholders
Under Seat Storage Tray/ Paper Towel Holder
Waste Container In Chaise Lounge

Console Features:

12 Volt Outlet (15 Amp)
41" Console Cap
Analog gauges w/paddle wheel speedometer & fish graph
Deluxe Wheel
Full Length Release Rod for Engine Cover Actuator
Locking Side Access Storage W/ Soft Cooler
Locking Glovebox
Sony GT Series CD - MP3, 4 speakers with color matched speaker grills
Windshield - redesigned

Performance:

Battery Switch relocated on Electrical
Distribution Panel in Helm Storage Compartment
Bilge Blower
Bilge Pump, manual/auto
Easy Access Engine Compartment w/Composite Transom
Hydraulic Actuated Power Steering
Lifting Strakes, Foils, Rounded Keels (ESP)
Rough Water Package
Stainless Steel Propeller(s)
Underdeck Wave Shield