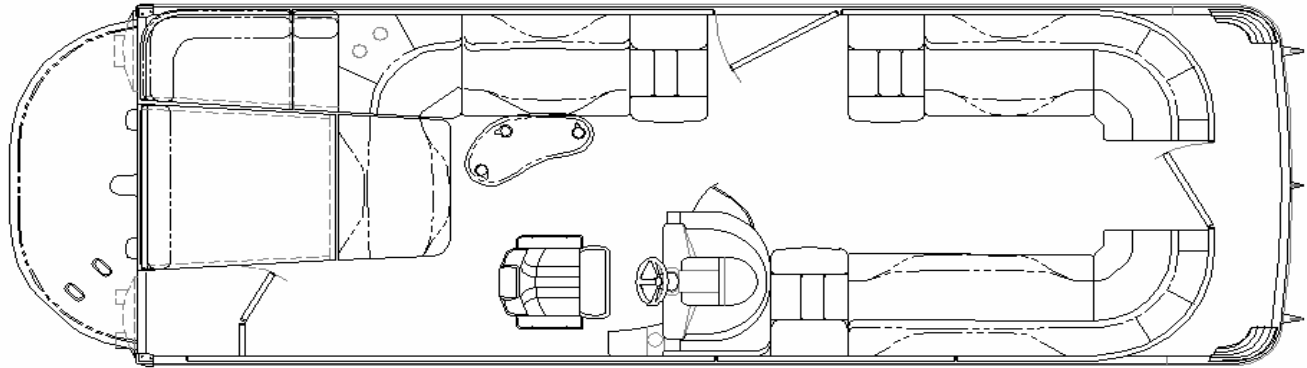


2575 RLi I/O

| Specifications: | | 3-Tubes ESP | |
|------------------------|---------|-----------------------------------|----------------------|
| LOA..... | 27' 2" | Max. HP Capacity..... | 425hp |
| Pontoon Length..... | 25' 6" | Approx. Hull Weight..... | 3648 lbs plus engine |
| Deck Length..... | 24' 11" | Person Capacity..... | 13 / 1870 lbs |
| Deck Width..... | 8' 6" | Hull Gauge | 0.125 |
| Pontoon Diameter..... | 25" | Elliptical Gauge Center Tube..... | 0.100 |
| Pontoon Gauge..... | 0.09 | | |



Standard Features:

Exterior

**10' Bimini Top w/ Embroidered Boot,
Quick Release Fittings & 1.25" Frame**
6" Custom BENNINGTON Stainless Steel Cleats
2 - 25" Pontoons w/32" Center Elliptical Tube
Anodized, Raised Rails For Drainage
Bimini Trailing Struts
Docking lights with color matched housings
Fiberglass Swim Platform w/Ladder
Laser Cut Bennington Thresholds @ Gates
Heavy Duty Rub Rail
Mid Ship Spring Line Mooring Eyes
Panels to top rail
Playpen Cover -Surlast
Pontoon Skirting
Raised Chrome Letter Logo's & Model Designators
Stainless Deck Bolts
Stainless Steel Corner Castings
Stainless Steel Ski Pylon (removable)
Streamline Rail System
Stern Entry

Interior

3 Chaise Lounges w/ Storage & Ventilation
62 Gallon in Hull Center Mounted Fuel Tank
Courtesy Light (1)
Fire Extinguisher
High Performance Palm Carpet
LED Mood Lighting
Mahogany Kidney Table
Portable Cup Holders (2 cup removable w/mahogany)
Privacy Enclosure - Large w/color matched canvas
Reclining Helm Seat (redesigned)

Interior - continued

Seat hinges powder coated Java
Stainless Steel Cupholders
Under Seat Storage Tray/ Paper Towel Holder
Waste Container In Chaise Lounge

Console Features:

12 Volt Outlet (15 Amp)
41" Console Cap
**Analog gauges w/paddle wheel speedometer &
fish graph**
Deluxe Wheel
Locking Side Access Storage W/ Soft Cooler
Locking Glovebox
**Sony GT Series CD - MP3, 4 speakers with
color matched speaker grills**
Windshield - redesigned

Performance:

Battery Switch
Bilge Blower
Bilge Pump, manual/auto
Easy Access Engine Compartment w/Composite Transom
Hydraulic Actuated Power Steering
Lifting Strakes, Foils, Rounded Keels (ESP)
Stainless Steel Propeller(s)
Underdeck Wave Shield