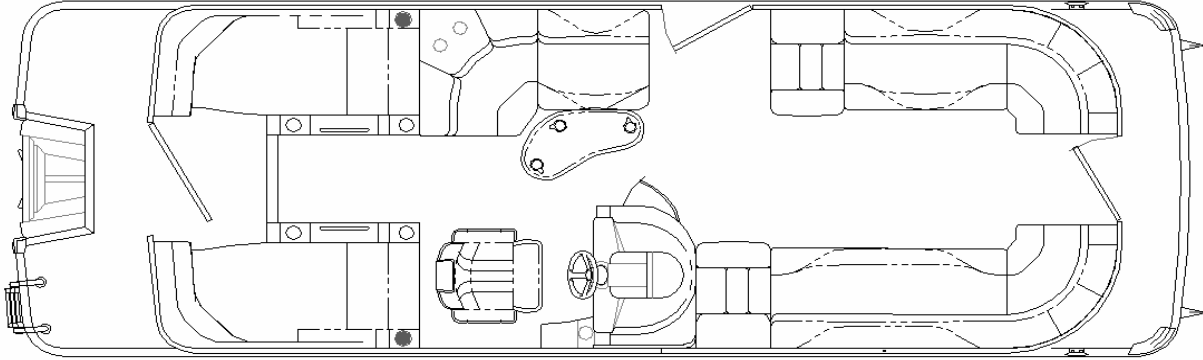


# 2550RCW

| <b>Specifications:</b> |        |                          | <u>2-Tubes</u> | <u>2 - Ellip Tubes</u> | <u>3-Tubes</u> | <u>ESP Pkg</u> |
|------------------------|--------|--------------------------|----------------|------------------------|----------------|----------------|
| LOA.....               | 27' 2" | Max. HP Capacity.....    | 150 hp         | 150 hp                 | 300 hp         | 350 hp         |
| Pontoon Length.....    | 25' 6" | Approx. Hull Weight..... | 2649 lbs       | 2799 lbs               | 3223 lbs       | 3298 lbs       |
| Deck Length.....       | 26' 4" | Person Capacity.....     | 15/2092 lbs    | 15/2092 lbs            | 14 / 2050 lbs  | 16 / 2324 lbs  |
| Deck Width.....        | 8' 6"  |                          |                |                        |                |                |
| Pontoon Diameter.....  | 25"    |                          |                |                        |                |                |
| Pontoon Gauge.....     | 0.09   |                          |                |                        |                |                |



(Has Extended Transom just like "I")

## Standard Features:

### Exterior

**10' Bimini Top w/ Embroidered Boot,**  
**Quick Release Fittings & 1.25" Frame**  
 6" Custom BENNINGTON Stainless Steel Cleats  
**16" On-center Main Cross Members**  
 25" Pontoons  
 Anodized, Raised Rails For Drainage  
 Bimini Trailing Struts  
**Docking lights with color matched housings**  
 Laser Cut Bennington Thresholds @ Gates  
 Heavy Duty Rub Rail  
 Mid Ship Spring Line Mooring Eyes  
**Panels to top rail**  
**Playpen Cover -Surlast**  
 Pontoon Skirting  
 Raised Chrome Letter Logo's & Model Designators  
 Stainless Deck Bolts  
 Stainless Steel Corner Castings  
**Streamline Rail System**  
 Underdeck Spray Deflectors  
 Vinyl Aft Floor, Extended Aft Deck w/Telescoping ladder,  
**& Stainless Steel Aft Boarding Handles**

### Interior

2 Chaise Lounges w/ Storage & Ventilation  
 2 Aft facing Super Lounges w/storage (**Upholstered**  
**Aft Rails & Stainless Steel Grab Bars**)  
 25 Gallon Starboard Fuel Tank  
 Courtesy Light (1)  
 Fire Extinguisher  
**High Performance Palm Carpet**  
 LED Mood Lighting  
 Mahogany Kidney Table  
**Portable Cup Holders**  
**(2 cup removable w/mahogany)**  
**Reclining Helm Seat (redesigned)**  
**Seat hinges powder coated Java**  
 Stainless Steel Cupholders  
 Under Seat Storage Tray/ Paper Towel Holder  
 Vinyl Floor in Stern  
 Waste Container In Chaise Lounge

### Console Features:

12 Volt Outlet (15 Amp)  
**41" Console Cap**  
**Analog gauges w/paddle wheel**  
**speedometer & fish graph**  
 Deluxe Wheel  
 Locking Side Access Storage W/ Soft Cooler  
 Locking Glovebox  
**Sony GT Series CD - MP3, 6 speakers with**  
**color matched speaker grills**  
**Windshield - redesigned**