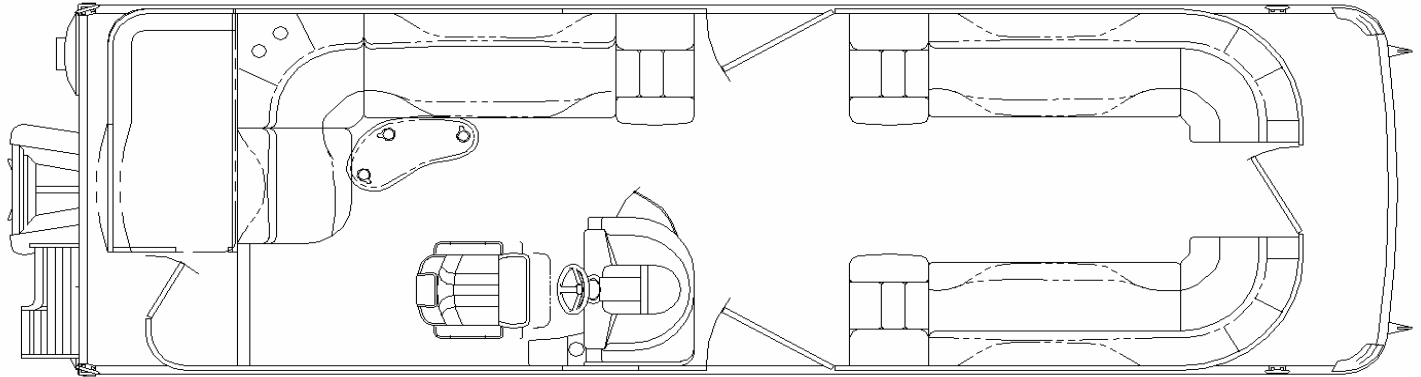


# 2874RLi

| <b>Specifications:</b> |         | <u>2-25" Tubes</u>       | <u>2-Ellip Tubes</u> | <u>3- 25" Tubes</u> | <u>ESP Pkg</u> |               |
|------------------------|---------|--------------------------|----------------------|---------------------|----------------|---------------|
| LOA.....               | 30' 2"  | Max. HP Capacity.....    | 150 hp               | 150 hp              | 300 hp         | 350 hp        |
| Pontoon Length.....    | 28' 6"  | Approx. Hull Weight..... | 3236 lbs             | 3411 lbs            | 3806 lbs       | 3881 lbs      |
| Deck Length.....       | 27' 11" | Person Capacity.....     | 15 / 2070 lbs        | 18 / 2535 lbs       | 17 / 2430 lbs  | 19 / 2750 lbs |
| Deck Width.....        | 8' 6"   |                          |                      |                     |                |               |
| Pontoon Diameter.....  | 25"     |                          |                      |                     |                |               |
| Pontoon Gauge.....     | 0.09    |                          |                      |                     |                |               |



## **Standard Features:**

### **Exterior**

6" Custom BENNINGTON Stainless Steel Cleats  
**10' Bimini w/Boot, Quick Rel & 1.25" Frame w/LED lighting**  
**16" On-center Main Cross Members**  
 25" Pontoons  
 Anodized, Raised Rails For Drainage  
 Bimini Trailing Struts  
**Docking lights with color matched housings**  
 Laser Cut Bennington Thresholds @ Gates  
 Heavy Duty Rub Rail  
 Mid Ship Spring Line Mooring Eyes  
**Panels to top rail on**  
**Playpen Cover -Surlast**  
 Pontoon Skirting  
 Raised Chrome Letter Logo's & Model Designators  
 Stainless Deck Bolts  
 Stainless Steel Corner Castings  
 Stern Entry w/Platform & Built-In Ladder  
**Streamline Rail System**  
 Stern Entry Platform & Ladder  
 Underdeck Spray Deflectors

### **Interior**

3 Chaise Lounges w/ Storage & Ventilation  
 33 Gallon Fuel Tank w/Remote Fill  
 Courtesy Light (1)  
 Fire Extinguisher  
**High Performance Palm Carpet**  
 LED Mood Lighting  
 Mahogany Kidney Table  
**Portable Cup Holders**  
**(2 cup removable w/ mahogany)**  
 Privacy Enclosure w/color matched canvas  
**Reclining Helm Seat (redesigned)**  
**Seat hinges powder coated Java**  
 Stainless Steel Cupholders  
 Under Seat Storage Tray/ Paper Towel Holder  
 Vinyl Floor in Stern  
 Waste Container In Chaise Lounge

### **Console Features:**

12 Volt Outlet (15 Amp)  
**41" Console Cap**  
**Analog gauges w/paddle wheel speedometer & fish graph**  
 Deluxe Wheel  
 Locking Side Access Storage W/ Soft Cooler  
 Locking Glovebox  
**Sony GT Series CD - MP3, 4 speakers with color matched speaker grills**  
**Windshield - redesigned**