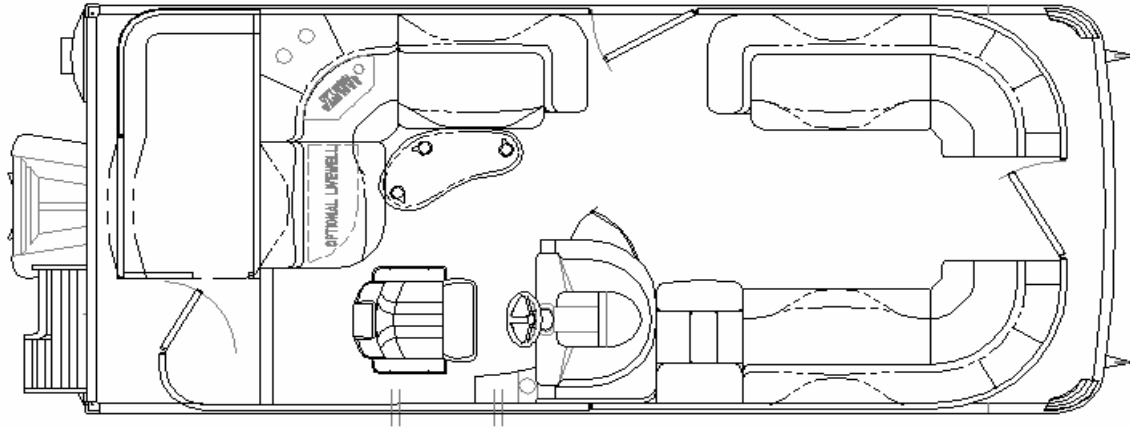


2075RLi

Specifications:		<u>25" Tubes</u>	<u>2 - Ellip Tubes</u>	<u>3- 25" Tubes</u>	<u>ESP Pkg</u>
LOA.....	22' 2"	Max. HP Capacity.....	115 hp	115 hp	150 hp
Pontoon Length.....	20 '6"	Approx. Hull Weight.....	2194 lbs	2194 lbs	2553 lbs
Deck Length.....	19' 11"	Person Capacity.....	12/1663 lbs	12 / 1663 lbs	11 / 1540 lbs
Deck Width.....	8' 6"				
Pontoon Diameter.....	25"				
Pontoon Gauge.....	0.08				



Standard Features:

Exterior

10' Bimini Top w/ Embroidered Boot,
Quick Release Fittings & 1.25" Frame
 6" Custom BENNINGTON Stainless Steel Cleats
16" On-center Main Cross Members
25" Pontoons
 Anodized, Raised Rails For Drainage
 Bimini Trailering Struts
Docking lights with color matched housings
 Laser Cut Bennington Thresholds @ Gates
 Heavy Duty Rub Rail
Panels to top rail
Playpen Cover -Surlast
 Pontoon Skirting
 Raised Chrome Letter Logo's & Model Designators
 Stainless Deck Bolts
 Stainless Steel Corner Castings
Streamline Rail System
 Stern Entry Platform & Ladder
 Underdeck Spray Deflectors

Interior

1 Chaise Lounge w/ Storage & Ventilation
 26 Gallon Center Mounted Fuel Tank
 Courtesy Light (1)
 Fire Extinguisher
High Performance Palm Carpet
 LED Mood Lighting
 Mahogany Kidney Table
Portable Cup Holders (2 cup removable w/mahogany)
 Privacy Enclosure w/color matched canvas
Reclining Helm Seat (redesigned)
Seat hinges powder coated Java
 Stainless Steel Cupholders
 Under Seat Storage Tray/ Paper Towel Holder
 Vinyl Floor in Stern
 Waste Container In Chaise Lounge

Console Features:

12 Volt Outlet (15 Amp)
41" Console Cap
Analog gauges w/paddle wheel speedometer & fish graph
 Locking Side Access Storage W/ Soft Cooler
 Locking Glovebox
Sony GT Series CD - MP3, 4 speakers with color matched speaker grills
Windshield - redesigned