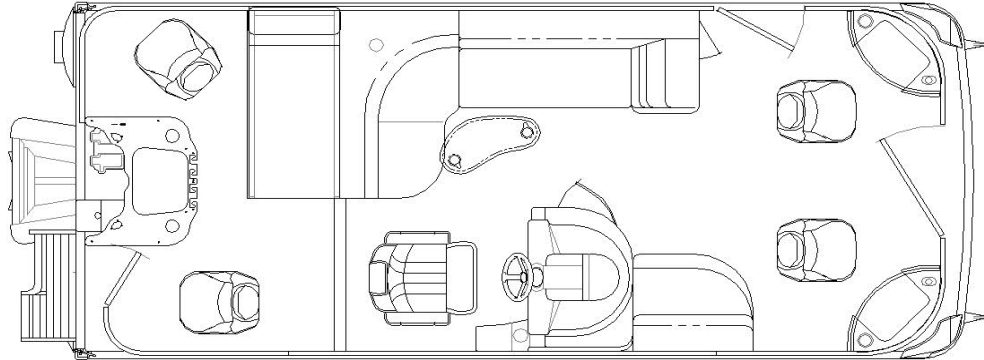


# 2075FSi

<b>Specifications:</b>		<u>23" Tubes</u>	<u>25" Tubes</u>	<u>Express Pkg.</u>	<u>3- 25" Tubes</u>	
LOA.....	22' 2"	Max. HP Capacity.....	60 hp	115 hp	115 hp	150 hp
Pontoon Length.....	20' 6"	Approx. Hull Weight.....	2144 lbs	2194 lbs	2194 lbs	2553 lbs
Deck Length.....	19' 11"	Person Capacity.....	11/1477 lbs	12/1663 lbs	12/1663 lbs	11 / 1540 lbs
Deck Width.....	8' 6"					
Pontoon Diameter.....	23" or 25"					
Pontoon Gauge.....	0.08"					



## **Standard Features**

### **Exterior**

**10' Bimini Top w/ Embroidered Boot,**  
**Quick Release Fittings & 1.25" Frame**  
 23" pontoons  
**24" tall front rails**  
 6" Stainless Steel Cleats  
 Anodized, Raised Rails for Drainage  
 Bimini Trailer Struts  
**16" On-center Main Cross Members**  
**Curved Fisher Bow**  
**Docking lights with color matched housings**  
 Full Length Pontoon Skirting  
**Panels to top rail on sides & stern**  
**Playpen Cover - Surlast**  
**Rail system - Angled top rail verticals**  
**Seat hinges powder coated Java**  
 Stainless Deck Bolts  
**Stainless Steel Ring Cup holders**  
 Stainless Steel Corner Castings  
 Stern Entry Platform & Ladder  
 Underdeck Spray Deflectors

### **Interior**

**Aft vinyl floor**  
**2 Bow Boxes**  
**4 Deluxe Bass Seats**  
 31 Gallon Center Mounted Fuel Tank  
**Captain's Reclining helm seat with swivel/slider**  
 Fire Extinguisher  
**Fish Station**  
**High Performance Palm Carpet**  
**Livewell w/Bait Bucket (in bench forward of console)**  
 Lockable Rod Storage  
 Kidney Shaped Table  
 Privacy Enclosure

### **Console**

**41" Console**  
 Locking Glovebox  
 Lockable Side Access Storage w/ Soft Cooler  
 Mahogany Panel  
 Tachometer, Fuel and Trim Gauges  
 12 Volt Receptacle  
 Flush Mounted Garmin Fish Graph  
 Helm Courtesy Light  
 Rocker Switches w/dash mounted breakers  
**Sony GT Series CD - MP3, 4 speakers with**  
**color matched speaker grills**  
**Tiger polished steering wheel**  
**Tilt Steering**  
 Windshield