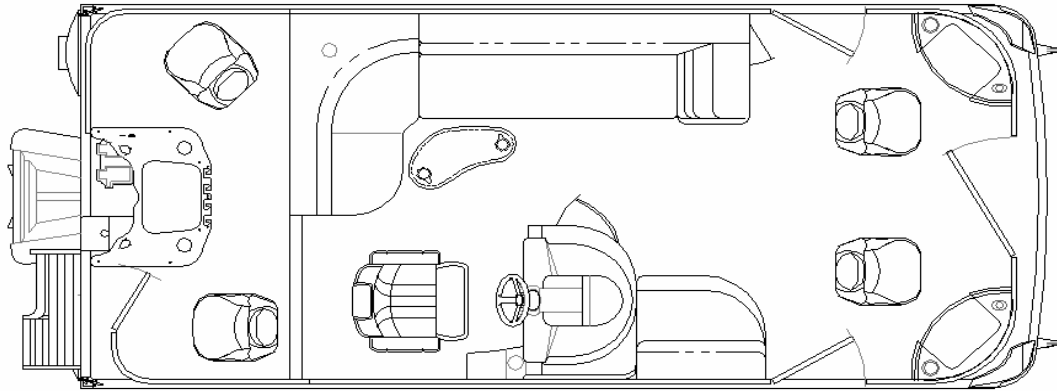


2050FSi

Specifications:		23" Tubes	25" Tubes	Express Pkg.	3- 25" Tubes	
LOA.....	22' 2"	Max. HP Capacity.....	60 hp	115 hp	115 hp	150 hp
Pontoon Length.....	20' 6"	Approx. Hull Weight.....	2144 lbs	2194 lbs	2194 lbs	2553 lbs
Deck Length.....	19' 11"	Person Capacity.....	11/1477 lbs	12/1663 lbs	12/1663 lbs	11 / 1540 lbs
Deck Width.....	8' 6"					
Pontoon Diameter.....	23" or 25"					
Pontoon Gauge.....	0.08"					



Standard Features

Exterior

10' Bimini Top w/ Embroidered Boot,
Quick Release Fittings & 1.25" Frame
 23" Pontoons
24" tall front rails
 6" Stainless Steel Cleats
 Anodized, Raised Rails for Drainage
 Bimini Trailer Struts
16" On-center Main Cross Members
Curved Fisher Bow
Docking lights with color matched housings
 Full Length Pontoon Skirting
Panels to top rail on sides & stern
Playpen Cover - Surlast
Rail system - Angled top rail verticals
Seat hinges powder coated Java
 Stainless Deck Bolts
Stainless Steel Ring Cup holders
 Stainless Steel Corner Castings
 Stern Entry Platform & Ladder
 Underdeck Spray Deflectors

Interior

Aft vinyl floor
2 Bow Boxes
4 Deluxe Bass Seats
 31 Gallon Center Mounted Fuel Tank
Captain's Reclining helm seat with swivel/slider
 Fire Extinguisher
Fish Station
High Performance Palm Carpet
Livewell w/Bait Bucket (in bench forward of console)
 Lockable Rod Storage
 Kidney Shaped Table

Console

41" Console
 Locking Glovebox
 Lockable Side Access Storage w/ Soft Cooler
 Mahogany Panel
 Tachometer, Fuel and Trim Gauges
 12 Volt Receptacle
 Flush Mounted Garmin Fish Graph
 Helm Courtesy Light
 Rocker Switches w/dash mounted breakers
Sony GT Series CD - MP3, 4 speakers with
color matched speaker grills
Tiger polished steering wheel
Tilt Steering
 Windshield