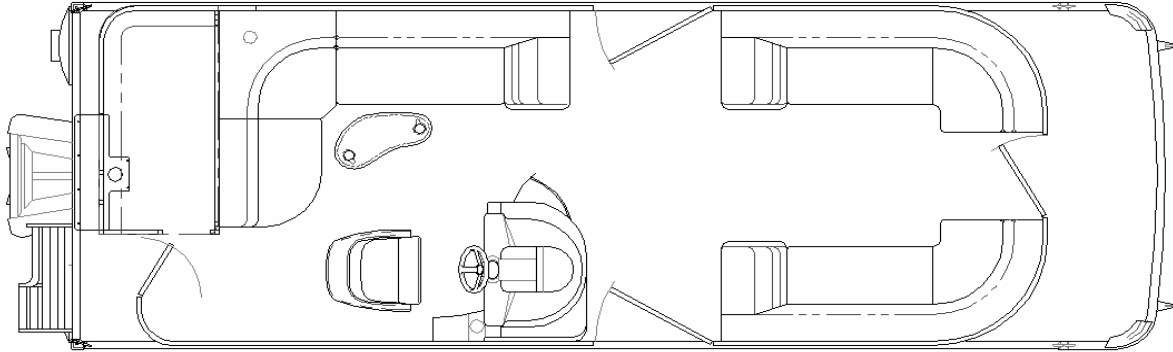


# 2574GLi

<b>Specifications:</b>		<u>2-Tubes</u>	<u>2 - Ellip Tubes</u>	<u>3-Tubes</u>	<u>ESP Pkg</u>	
LOA.....	27' 2"	Max. HP Capacity.....	150 hp	150 hp	300 hp	350 hp
Pontoon Length.....	25' 6"	Approx. Hull Weight.....	2649 lbs	2799 lbs	3223 lbs	3298 lbs
Deck Length.....	24' 11"	Person Capacity.....	15 / 2092 lbs	15 / 2092 lbs	14 / 2050 lbs	16 / 2324 lbs
Deck Width.....	8' 6"					
Pontoon Diameter.....	25"					
Pontoon Gauge.....	0.09					



## Standard Features

### Exterior

- 10' Bimini Top w/ Embroidered Boot,**
- Quick Release Fittings & 1.25" Frame**
- 25" Pontoons
- 6" Stainless Steel Cleats
- Anodized, Raised Rails for Drainage
- Bimini Trailer Struts
- 16" On-center Main Cross Members**
- Docking lights with color matched housings**
- Full Length Pontoon Skirting
- Large Radius Bow Rails with 24" Bow Gate
- Panels to top rail**
- Playpen Cover - Surlast**
- Rail system - Angled top rail verticals**
- Seat hinges powder coated Java**
- Stainless Deck Bolts
- Stainless Steel Corner Castings
- Stainless Steel Ring Cup holders**
- Stern Entry Platform & Ladder
- Underdeck Spray Deflectors

### Interior

- 3 Chaise Lounge w/Storage
- 26 Gallon Center Mounted Fuel Tank
- Captain's Seat w/ Slider / Swivel
- Fire Extinguisher
- High Performance Palm Carpet**
- Kidney Shaped Table
- Mid Ship Spring Line Mooring Eyes
- Privacy Enclosure

### Console

- 41" Console**
- W/ Quick Release Windshield
- 12 Volt Receptacle
- Faria Gauges w/ Sealed Connectors
- Helm courtesy light
- Instrumentation: Mahogany Panel
- Includes: Tachometer, Trim, & Fuel Gauge
- Lockable Console Door
- Locking Glovebox
- Rocker Switches w/dash mounted breakers
- Soft Cooler
- Sony GT Series CD - MP3, 4 speakers**
- w/ color matched speaker grills**
- Tiger polished steering wheel**
- Tilt Steering**
- Windshield