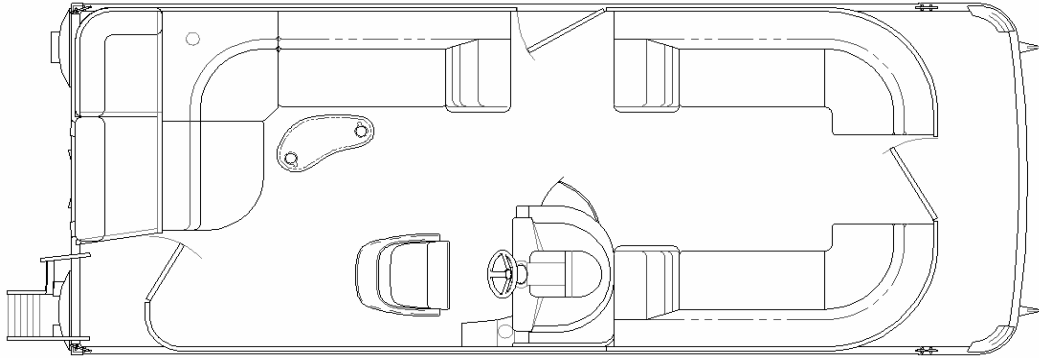


# 2250GL

<b>Specifications:</b>		<u>25" Tubes</u>	<u>Express Pkg.</u>	<u>3- 25" Tubes</u>	<u>ESP Pkg</u>	
LOA.....	24' 2"	Max. HP Capacity.....	150 hp	150 hp	225 hp	250 hp
Pontoon Length.....	22' 6"	Approx. Hull Weight.....	2244 lbs	2244 lbs	2724 lbs	2799 lbs
Deck Length.....	21' 11"	Person Capacity.....	13 / 1762 lbs	13 / 1762 lbs	12 / 1680 lbs	14 / 1920 lbs
Deck Width.....	8' 6"					
Pontoon Diameter.....	25"					
Pontoon Gauge.....	0.08					



## Standard Features

### Exterior

**10' Bimini Top w/ Embroidered Boot,  
Quick Release Fittings & 1.25" Frame**  
 25" Pontoons  
 6" Stainless Steel Cleats  
 Anodized, Raised Rails for Drainage  
 Bimini Trailer Struts  
**16" On-center Main Cross Members**  
**Docking lights with color matched housings**  
 Full Length Pontoon Skirting  
 Large Radius Bow Rails with 24" Bow Gate  
**Panels to top rail**  
**Playpen Cover - Surlast**  
**Rail system - Angled top rail verticals**  
**Seat hinges powder coated Java**  
 Stainless Deck Bolts  
 Stainless Steel Corner Castings  
**Stainless Steel Ring Cup holders**  
 Stern Entry Platform & Ladder  
 Underdeck Spray Deflectors

### Interior

3 Chaise Lounges w/ Storage  
 26 Gallon Fuel Tank W/ Remote Fill  
 Captain's Seat w/ Slider / Swivel  
 Fire Extinguisher  
**High Performance Palm Carpet**  
 Kidney Shaped Table

### Console

**41" Console**  
 12 Volt Receptacle  
 Faria Gauges w/ Sealed Connectors  
 Helm courtesy light  
 Instrumentation: Mahogany Panel  
     Includes: Tachometer, Trim,  
                 & Fuel Gauge  
 Lockable Console Door  
 Locking Glovebox  
 Rocker Switches w/dash mounted breakers  
 Soft Cooler  
**Sony GT Series CD - MP3, 4 speakers  
w/ color matched speaker grills**  
**Tiger polished steering wheel**  
**Tilt Steering**  
 Windshield