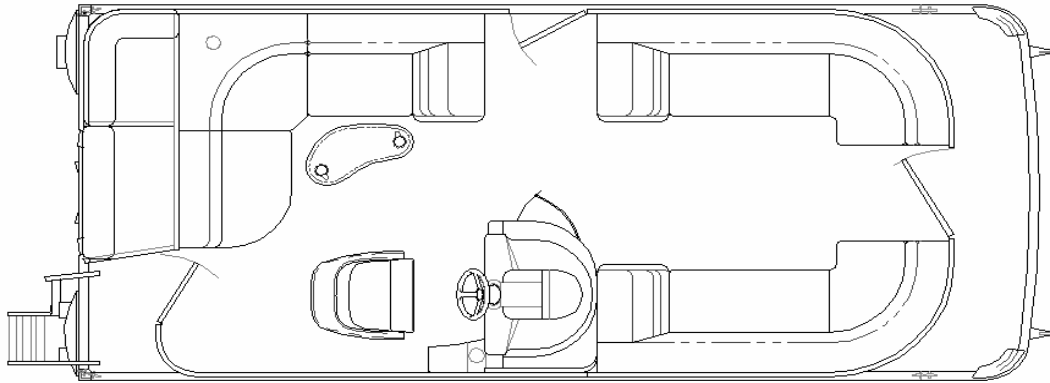


2050GL

| Specifications: | | <u>23" Tubes</u> | <u>25" Tubes</u> | <u>Express Pkg</u> | <u>3- 25" Tubes</u> | |
|------------------------|------------|--------------------------|------------------|--------------------|---------------------|---------------|
| LOA..... | 22' 2" | Max. HP Capacity..... | 60 hp | 115 hp | 115 hp | 150 hp |
| Pontoon Length..... | 20' 6" | Approx. Hull Weight..... | 2144 lbs | 2194 lbs | 2194 lbs | 2553 lbs |
| Deck Length..... | 19' 11" | Person Capacity..... | 11 / 1477 lbs | 12 / 1663 lbs | 12 / 1663 lbs | 11 / 1540 lbs |
| Deck Width..... | 8' 6" | | | | | |
| Pontoon Diameter..... | 23" or 25" | | | | | |
| Pontoon Gauge..... | 0.08 | | | | | |



Standard Features

Exterior

10' Bimini Top w/ Embroidered Boot,
Quick Release Fittings & 1.25" Frame
 23" Pontoons
 6" Stainless Steel Cleats
 Anodized, Raised Rails for Drainage
 Bimini Trailer Struts
16" On-center Main Cross Members
Docking lights with color matched housings
 Full Length Pontoon Skirting
 Large Radius Bow Rails with 24" Bow Gate
Panels to top rail
Playpen Cover - Surlast
Rail system - Angled top rail verticals
Seat hinges powder coated Java
 Stainless Deck Bolts
 Stainless Steel Corner Castings
Stainless Steel Ring Cup holders
 Stern Entry Platform & Ladder
 Underdeck Spray Deflectors

Interior

3 Chaise Lounges w/ Storage
 26 Gallon Fuel Tank W/ Remote Fill
 Captain's Seat w/ Slider / Swivel
 Fire Extinguisher
High Performance Palm Carpet
 Kidney Shaped Table

Console

41" Console
 12 Volt Receptacle
 Faria Gauges w/ Sealed Connectors
 Helm courtesy light
 Instrumentation: Mahogany Panel
 Includes: Tachometer, Trim,
 & Fuel Gauge
 Lockable Console Door
 Locking Glovebox
 Rocker Switches w/dash mounted breakers
 Soft Cooler
Sony GT Series CD - MP3, 4 speakers
w/ color matched speaker grills
Tiger polished steering wheel
Tilt Steering
 Windshield