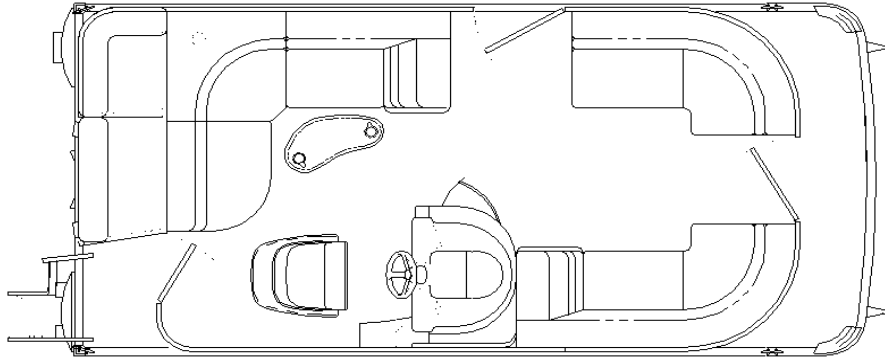


1850GL

Specifications:		<u>23" Tubes</u>	<u>25" Tubes</u>
LOA.....	20' 2"	Max. HP Capacity.....	60 hp
Pontoon Length.....	18' 6"	Approx. Hull Weight.....	1869 lbs
Deck Length.....	17' 11"	Person Capacity.....	9/1197 lbs
Deck Width.....	8' 6"		10/1366 lbs
Pontoon Diameter.....	23" or 25"		
Pontoon Gauge.....	0.08		



Standard Features

Exterior

- 10' Bimini Top w/ Embroidered Boot,**
- Quick Release Fittings & 1.25" Frame**
- 23" Pontoons
- 6" Stainless Steel Cleats
- Anodized, Raised Rails for Drainage
- Bimini Trailer Struts
- 16" On-center Main Cross Members**
- Docking lights with color matched housings**
- Full Length Pontoon Skirting
- Large Radius Bow Rails with 24" Bow Gate
- Panels to top rail**
- Playpen Cover - Surlast**
- Rail system - Angled top rail verticals**
- Seat hinges powder coated Java**
- Stainless Deck Bolts
- Stainless Steel Ring Cup holders**
- Stainless Steel Corner Castings
- Stern Entry Platform & Ladder
- Underdeck Spray Deflectors

Interior

- 2 Chaise Lounges w/ Storage
- 26 Gallon Fuel Tank W/ Remote Fill
- Captain's Seat w/ Slider / Swivel
- Fire Extinguisher
- High Performance Palm Carpet**
- Kidney Shaped Table

Console

- 41" Console**
- 12 Volt Receptacle
- Faria Gauges w/ Sealed Connectors
- Helm courtesy light
- Instrumentation: Mahogany Panel
- Includes: Tachometer, Trim, & Fuel Gauge
- Lockable Console Door
- Locking Glovebox
- Rocker Switches w/dash mounted breakers
- Soft Cooler
- Sony GT Series CD - MP3, 4 speakers**
- w/ color matched speaker grills**
- Tiger polished steering wheel**
- Tilt Steering**
- Windshield