

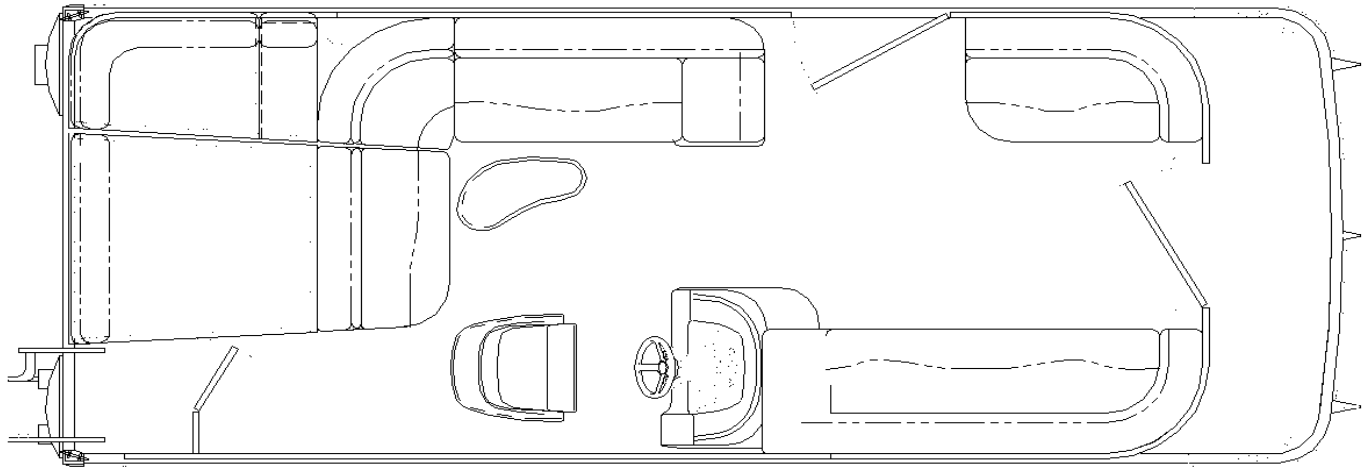
# 23 SL3IO

## Specifications:

LOA.....	24' 2"
Pontoon Length.....	22' 6"
Deck Width.....	8' 6"
Pontoon Diameter.....	25"
Pontoon Gauge.....	0.08"

## 3-Tubes

Max. HP Capacity.....	320hp
Approx. Hull Weight.....	2811 lbs plus engine
Person Capacity.....	12/1740 lbs
Hull Gauge .....	.125"



## Standard Features:

3 - 25" Pontoons  
6" Stainless Steel Cleats  
62 Gallon Center Fuel Tank W/ Remote Fill  
**8.5' x 10' Bimini w/Boot - Surlast**  
Anodized, Raised Rails for Drainage  
Bimini Trailing Struts  
Captain's Seat w/ Slider / Swivel  
Chaise Lounge w/ storage  
Console Chaise Lounge  
Fire Extinguisher  
**Full length skirting**  
**High Performance Palm Carpet**  
**Kidney table**  
Large Privacy Enclosure (includes curtain)  
**Playpen Cover - Surlast**  
**Rail system - Angled top rail verticals**  
**Seat hinges powder coated Java**  
Stainless Deck Bolts  
Stainless Steel Corner Castings  
**Stainless Steel Ring Cup holders**  
Stainless Steel Ski Tow Eye  
Stern Entry Platform & Ladder  
**Upgraded Graphics Package in Java**

## Console Features:

12 Volt Receptacle (15 Amp)  
Battery Switch  
Faria Gauges  
**One piece fiberglass console**  
Instrumentation Includes:  
Tach, Fuel & Trim Gauges  
Lockable Console Door  
**Majestic Burl Dash**  
Rocker Switches w/dash mounted breakers  
Soft Cooler  
**Sony GT Series CD - MP3, 4 speakers**  
**w/ color matched speaker grills**  
**Tiger polished steering wheel**  
**Windshield - Low Profile**

## Performance

(2) 25" tubes w/ 32" Elliptical Center Tube  
Bilge Blower  
Bilge Pump, manual/auto  
Easy Access Engine Compartment w/composite transom  
Hydraulically Actuated Power Steering  
Lifting Strakes  
Rough Water Package  
Underdeck Wave Shield