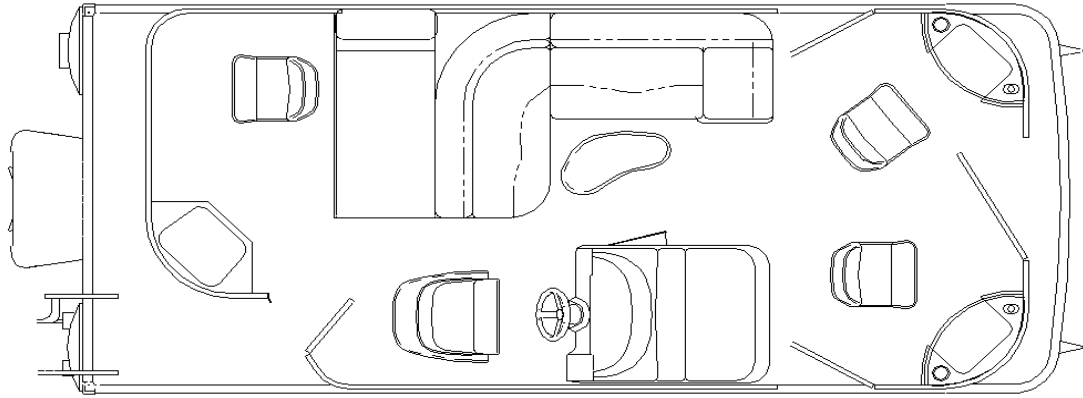


22 SFi

Specifications:		<u>23" Tubes</u>	<u>25" Tubes</u>	<u>Express Pkg.</u>
LOA.....	21' 8"	Max. HP Capacity.....	90 hp	115 hp
Pontoon Length.....	20' 6"	Approx. Hull Weight.....	1670 lbs	1745 lbs
Deck Width.....	8' 6"	Person Capacity.....	11/1477 lbs	12/1663 lbs
Pontoon Diameter.....	23" or 25"			10 / 1455 lbs
Pontoon Gauge.....	0.08"			



Standard Features

- 1 Stern Fishing Seat
- 2 Bow Fishing Seats
- 23" Pontoons
- 24 Gallon Transom Fuel Tank
- 4 Pole Rod Holder**
- 6" Stainless Steel Cleats
- 8.5' x 10' Bimini w/Boot - Surlast**
- Anodized, Raised Rails for Drainage
- Bimini Trailing Struts
- Captain's Seat w/ Slider / Swivel
- Chaise Lounge w/storage
- Fire Extinguisher
- Full length skirting**
- High Performance Palm Carpet**
- Kidney table**
- Playpen Cover - Surlast**
- Port Bow Livewell**
- Rail system - Angled top rail verticals**
- Seat hinges powder coated Java**
- Stainless Deck Bolts
- Stainless Steel Corner Castings
- Stainless Steel Ring Cup holders**
- Starboard Bow Storage**
- Stern Entry Platform & Ladder
- Stern Livewell**
- Stern Storage Closet with optional privacy**
- Underdeck Spray Deflectors
- Upgraded Graphics Package in Java**

Console Features:

- 12 Volt Receptacle (15 Amp)
- Majestic Burl Dash**
- Faria Gauges
- One piece fiberglass fishing console**
- Instrumentation Includes:
 - Tach, Fuel & Trim Gauges
- Lockable Console Door
- Rocker Switches w/dash mounted breakers
- Soft Cooler
- Sony GT Series CD - MP3, 4 speakers**
- w/ color matched speaker grills**
- Tiger polished steering wheel**