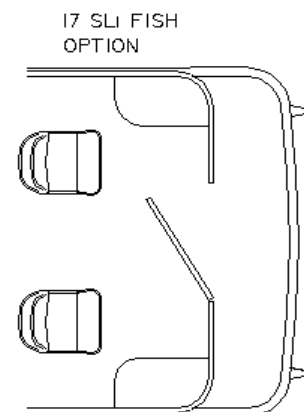
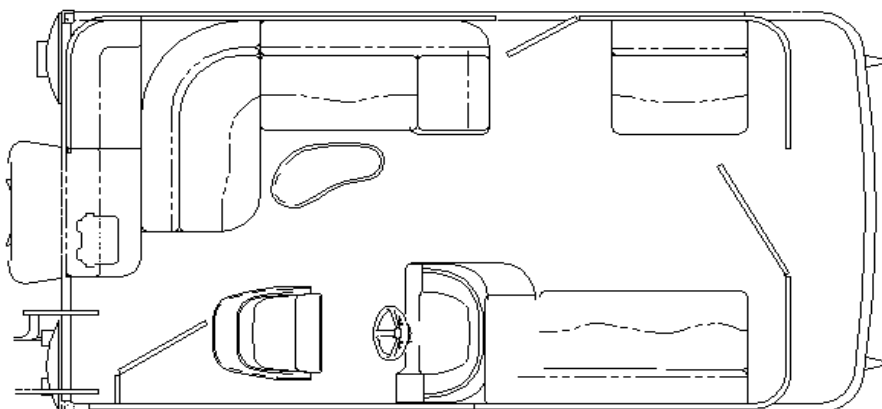


17 SLi

Specifications:		<u>23" Tubes</u>	
LOA.....	17' 3"	Max. HP Capacity.....	50 hp
Pontoon Length.....	16' 6"	Approx. Hull Weight.....	1491 lbs
Deck Width.....	8' 6"	Person Capacity.....	6 / 825 lbs
Pontoon Diameter.....	23"		
Pontoon Gauge.....	0.08"		



NEW MODEL 2010

Standard Features

- 15 Gallon Port Fuel Tank
- 23" Pontoons
- 6" Stainless Steel Cleats
- 8.5' x 10' Bimini w/Boot - Surlast**
- Anodized, Raised Rails for Drainage
- Bimini Trailing Struts
- Captain's Seat w/ Slider / Swivel
- Chaise Lounge w/ storage
- Console Chaise Lounge
- Fire Extinguisher
- Full length skirting**
- High Performance Palm Carpet**
- Kidney table**
- Playpen Cover - Surlast**
- Rail system - Angled top rail verticals**
- Seat hinges powder coated Java**
- Stainless Deck Bolts
- Stainless Steel Corner Castings
- Stainless Steel Ring Cup holders**
- Stern Entry Platform & Ladder
- Underdeck Spray Deflectors
- Upgraded Graphics Package in Java**

Console Features:

- 12 Volt Receptacle (15 Amp)
- Majestic Burl Dash**
- Faria Gauges
- One piece fiberglass console**
- Instrumentation Includes:
 - Tach, Fuel & Trim Gauges
- Lockable Console Door
- Rocker Switches w/dash mounted breakers
- Soft Cooler
- Sony GT Series CD - MP3, 4 speakers with color matched speaker grills**
- Tiger polished steering wheel**
- Windshield - Low Profile**