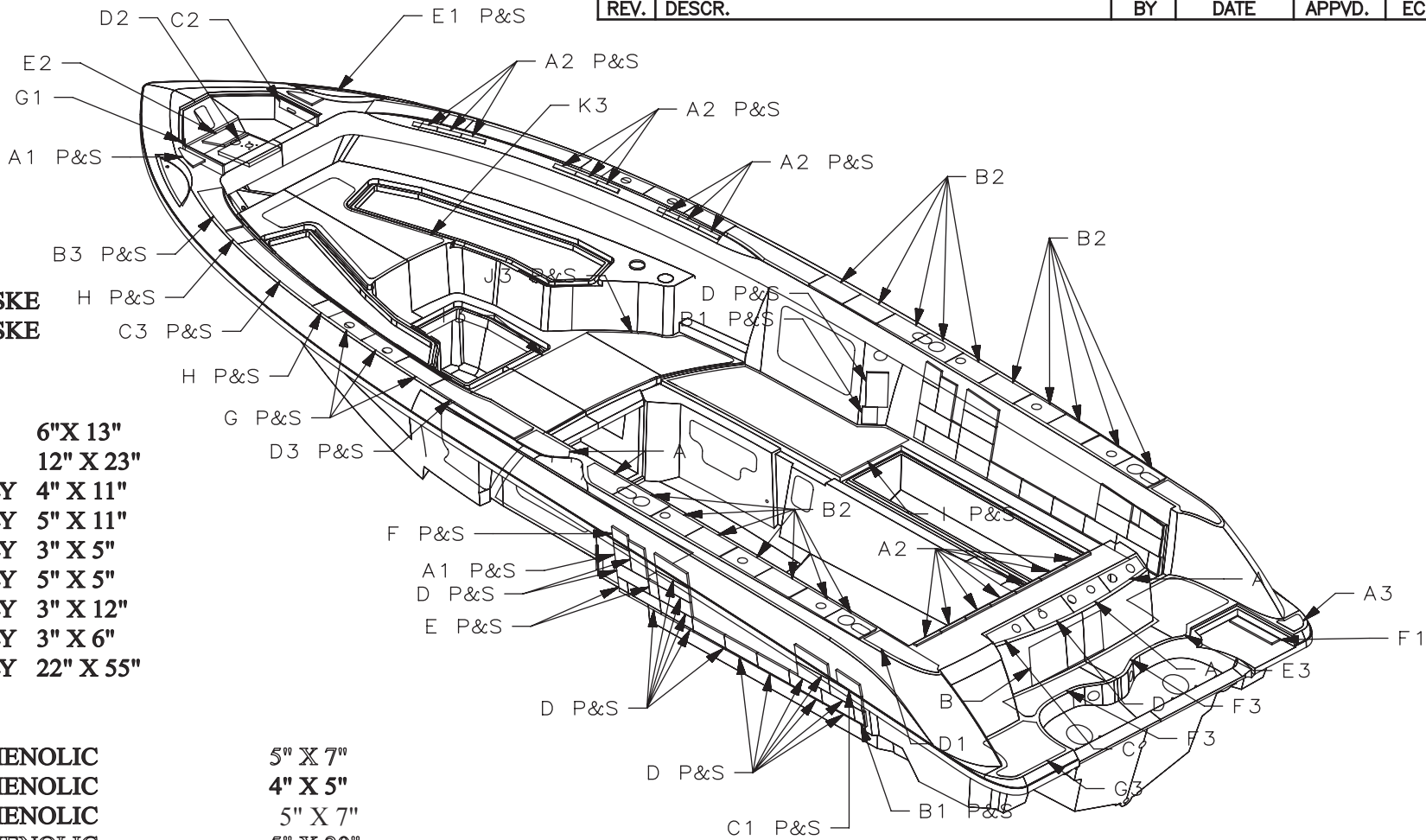


THIS DOCUMENT IS THE PROPERTY OF BOSTON WHALER, INC. MFG. DEPT., EDGEWATER, FLORIDA. ALL RIGHTS ARE RESERVED. THIS DOCUMENT AND INFORMATION CONTAINED MUST NOT BE COPIED OR DISCLOSED TO OTHERS WITHOUT WRITTEN PERMISSION OF BOSTON WHALER, INC.

DWG. NO:	REV.	CURRENT ECD
	—	

REVISIONS					
REV.	DESCR.	BY	DATE	APPVD.	ECN NO.




D2 1" PENSKE
E2 1" PENSKE

A 1" PLY 6" X 13"
B 1" PLY 12" X 23"
C 1/2" PLY 4" X 11"
B 1/2" PLY 5" X 11"
E 1/2" PLY 3" X 5"
F 1/2" PLY 5" X 5"
G 1/2" PLY 3" X 12"
H 1/2" PLY 3" X 6"
I 1/2" PLY 22" X 55"

A1	1/2" PHENOLIC	5" X 7"
B1	1/2" PHENOLIC	4" X 5"
C1	1/2" PHENOLIC	5" X 7"
D1	1/2" PHENOLIC	5" X 20"
E1	1/2" PHENOLIC	3" X 21"
F1	1/2" PHENOLIC	3" X 14"
G1	3/8" PHENOLIC	3" X 5"
A2	1/2" PENSKE	2" X 6"
B2	1/2" PENSKE	6" X 11"
C2	1/2" PENSKE	4" X 12"
		10" X 10"
		8" X 10"

A3	1/2" BALSA	5" X 6"
B3	1/2" BALSA	6" X 19"
C3	1/2" BALSA	4" X 32"
D3	1/2" BALSA	6" X 14"
E3	1/2" BALSA	20" X 19"
F3	1/2" BALSA	9" X 24"
H3	1/2" BALSA	19" X 16"
I3	1/2" BALSA	23" X 46"
J3	1/2" BALSA	17" X 23"
K3	1/2" BALSA	23" X 46"

INTERPRET DIMENSIONS AND TOLERANCES PER ANSI Y 14.5 UNLESS OTHERWISE SPECIFIED DIMENSIONS ARE IN INCHES.
TOLERANCES: ANGLES = ± .5° .XXX = ± .010
.X = ± .1 X = ± 1/16
.XX = ± .03 X = ± 1/16
DO NOT SCALE DRAWING

 <p>BOSTON WHALER PRODUCT DEV. & MFG. ENGINEERING GROUP</p>	CHECKED:	DATE:	DRAWN: B.HUTCHINSON	DATE: 06/24/09	SCALE: NONE	BOAT MODEL	MOLD NO.
	APPD:	DATE:	DWG. TITLE:	DIAGRAM, REINF. LOCN. 2800R		2800R	
	DESIGN:	DATE:	INIT. REL. ECN NO:	DWG. NO:	SHT. NO.		
	INT. ENG:	DATE:			1	of 1	