

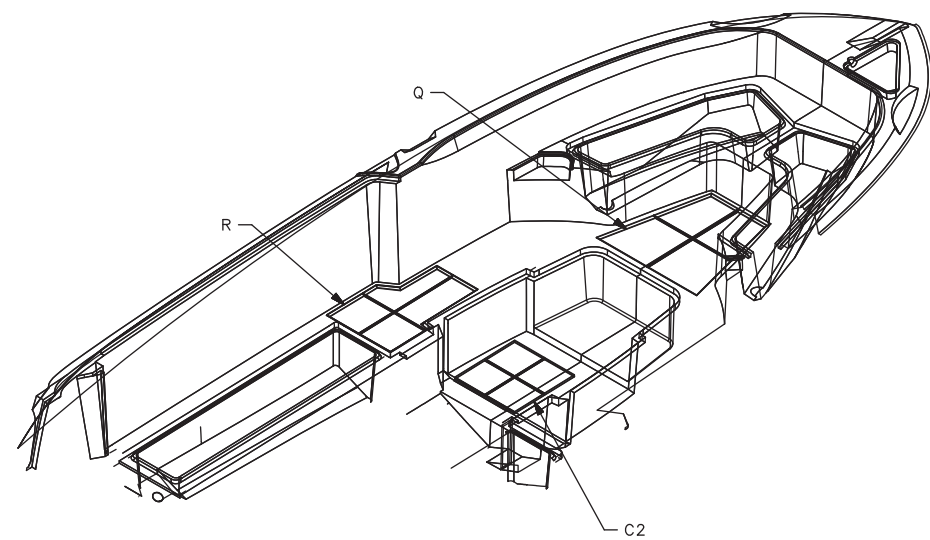
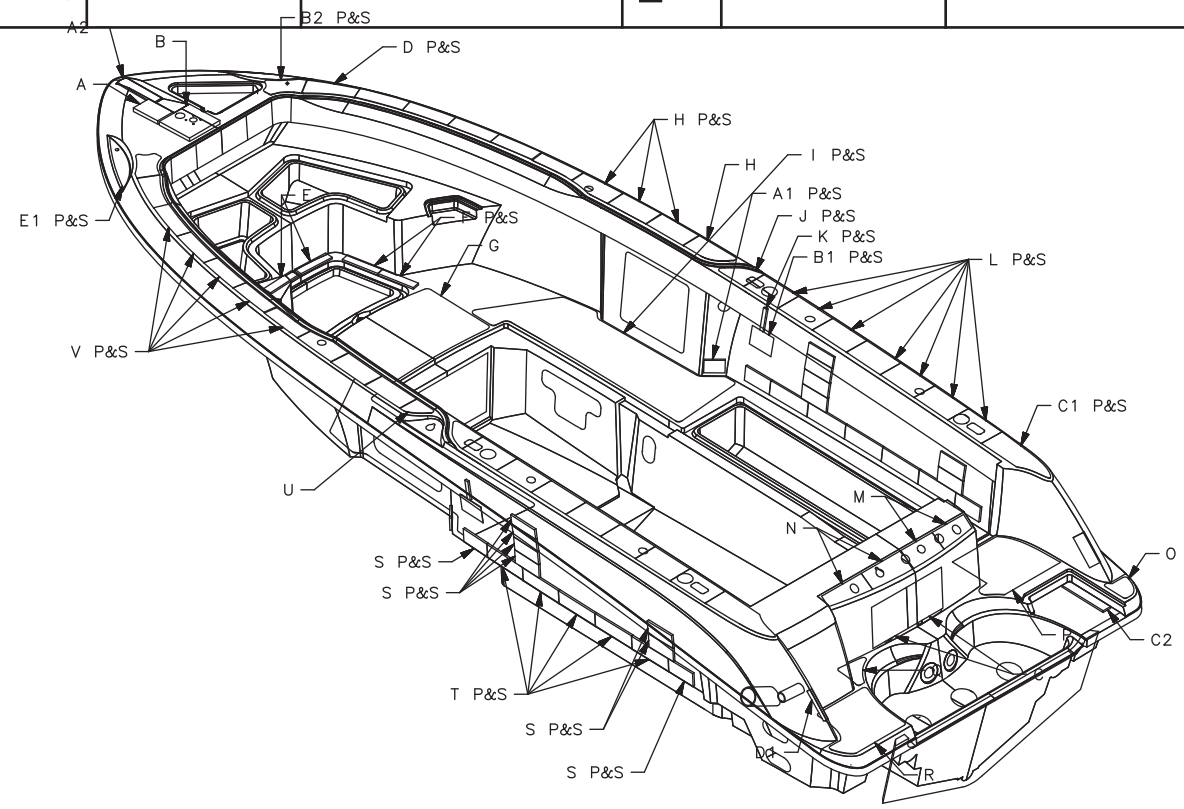
THIS DOCUMENT IS THE PROPERTY OF BOSTON WHALER, INC. MFG. DEPT., EDGEWATER, FLORIDA. ALL RIGHTS ARE RESERVED. THIS DOCUMENT AND INFORMATION CONTAINED MUST NOT BE COPIED OR DISCLOSED TO OTHERS WITHOUT WRITTEN PERMISSION OF BOSTON WHALER, INC.

DWG. NO:	REV.	CURRENT ECD
	—	


A	1" PENSKE	5" X 10"
B	1" PENSKE	10" X 10"
C	1" PENSKE	11.5" X 23"
D	1/2" PENSKE	5.5" X 13"
E	1/2" PENSKE	9.75" X 12.25"
F	1/2" PENSKE	2.25" X 9.75"
G	1/2" PENSKE	20" X 35"
H	1/2" PENSKE	5.5" X 11.75"
I	1/2" PENSKE	22" X 55"
J	1/2" PENSKE	6.25" X 8"
K	1/2" PENSKE	1" X 6"
L	1/2" PENSKE	6.5" X 11.25"
M	1/2" PENSKE	4.75" X 10.25"
N	1/2" PENSKE	5" X 13"
O	1/2" PENSKE	5.25" X 6"
P	1/2" PENSKE	17.5" X 21"
Q	1/2" PENSKE	7.75" X 8"
R	1/2" PENSKE	15.5" X 19"
S	1/2" PENSKE	4" X 8"
T	1/2" PENSKE	4" X 12"
U	1/2" PENSKE	5.5" X 5.5"
V	1/2" PENSKE	3.5" X 12"

A1	1/2" PHENOLIC	3.5" X 5"
B1	1/2" PHENOLIC	5" X 7.5"
C1	1/2" PHENOLIC	6.5" X 19.5"
D1	1/2" PHENOLIC	3" X 8"
E1	1/2" PHENOLIC	3" X 21"

A2	3/8" AQUAPLAS	3" X 11.5"
B2	3/8" AQUAPLAS	5.5" X 9"
C2	3/8" AQUAPLAS	2.5" X 13.5"



INTERPRET DIMENSIONS AND TOLERANCES PER ANSI Y 14.5 UNLESS OTHERWISE SPECIFIED DIMENSIONS ARE IN INCHES.
 TOLERANCES: ANGLES = ± .5° .XXX = ± .010
 .X = ± .1 .X = ± .03 X/X = ± 1/16
 DO NOT SCALE DRAWING

 PRODUCT DEV. & MFG. ENGINEERING GROUP	CHECKED:	DATE:	DRAWN: B.HUTCHINSON	DATE: 06/24/09	SCALE: NONE	BOAT MODEL	MOLD NO.
	APPD:	DATE:	DWG. TITLE:	DIAGRAM, REINF. LOCN. 2500R		2500R	
	DESIGN:	DATE:			INIT. REL. ECN NO:	DWG. NO:	SHT. NO.
	INT. ENG:	DATE:					1 OF 1