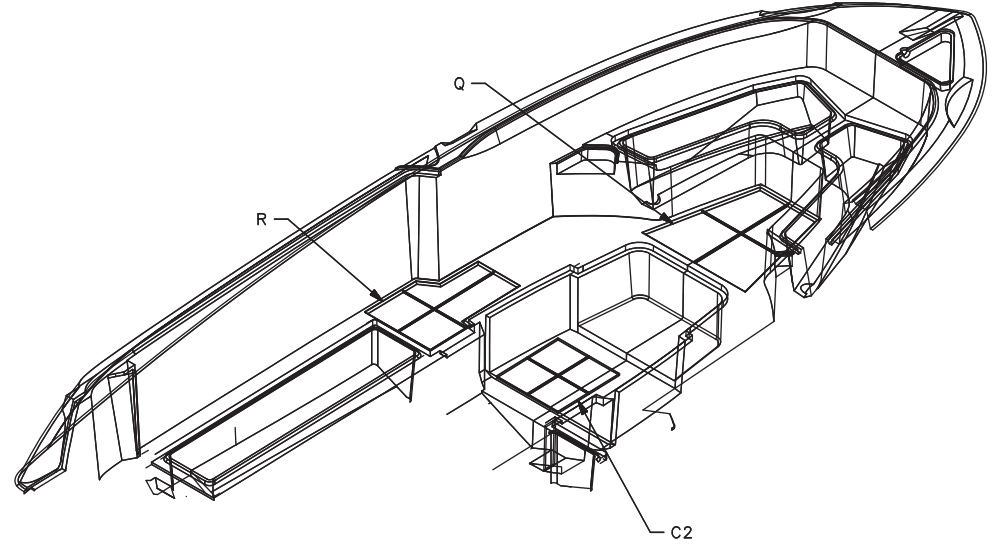
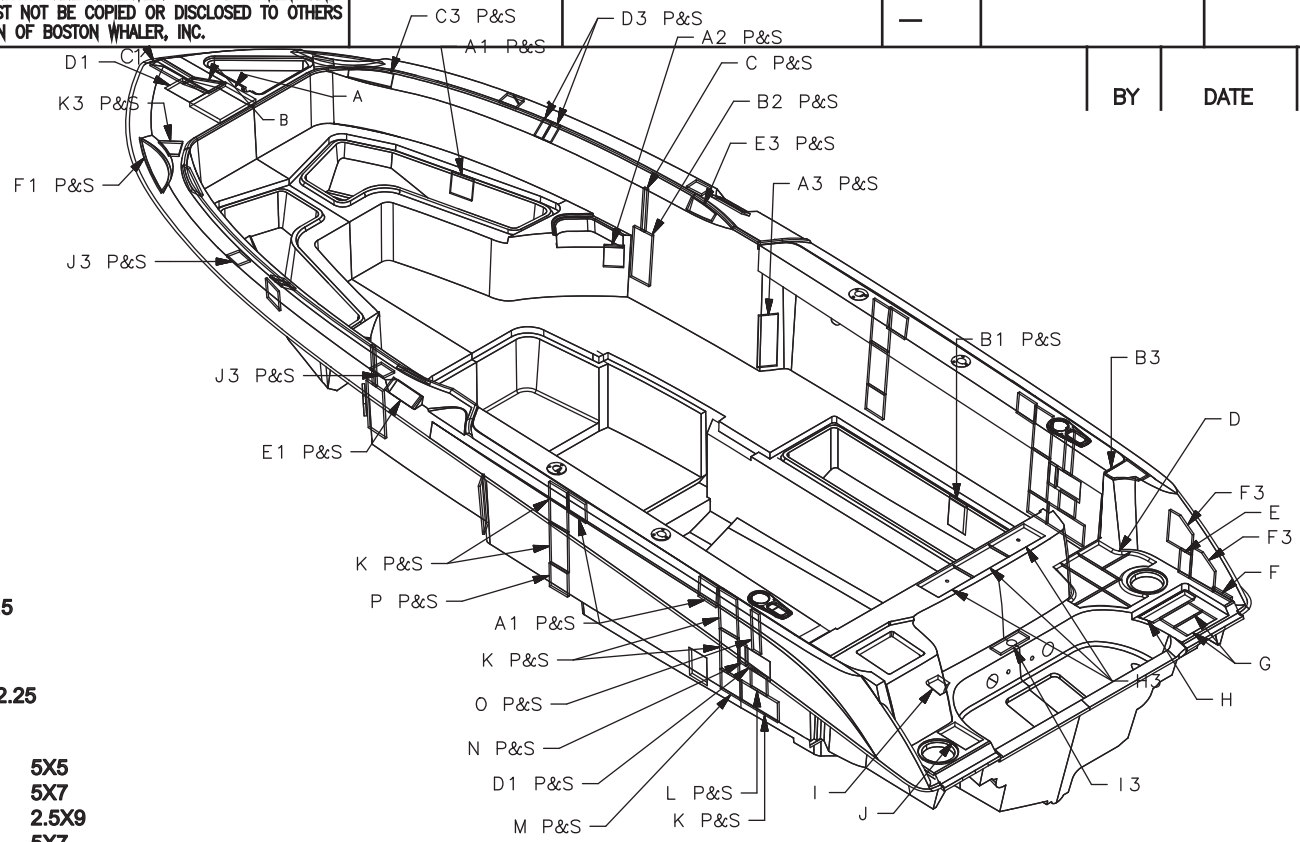


THIS DOCUMENT IS THE PROPERTY OF BOSTON WHALER, INC. MFG. DEPT., EDGEWATER, FLORIDA. ALL RIGHTS ARE RESERVED. THIS DOCUMENT AND INFORMATION CONTAINED MUST NOT BE COPIED OR DISCLOSED TO OTHERS WITHOUT WRITTEN PERMISSION OF BOSTON WHALER, INC.

DWG. NO: REV. CURRENT ECD

BY DATE APPVD. ECN NO.

A	1" PLY	8.5"X10"
B	1/2" PLY	4.5X8
C	1/2" PLY	1X10
D	1/2" PLY	22X20
E	1/2" PLY	3X5.5
F	1/2" PLY	1X5
G	1/2" PLY	4X8
H	1/2" PLY	3X13
I	1/2" PLY	4X5.25
J	1/2" PLY	5X8
K	1/2" PLY	5X10.5
L	1/2" PLY	4.5X4.5
M	1/2" PLY	5X5.5
N	1/2" PLY	2X5
O	1/2" PLY	2.25X10.5
P	1/2" PLY	5X6
Q	1/2" PLY	31X34
R	1/2" PLY	21.25X32.25
A1	3/8" PHENOLIC	5X5
B1	3/8" PHENOLIC	5X7
C1	3/8" PHENOLIC	2.5X9
D1	1/2" PHENOLIC	5X7
E1	1/2" PHENOLIC	3X8
F1	1/2" PHENOLIC	3.75X19
G1	1/2" PHENOLIC	3" X 5
A2	1/2" PENSKE	4X5
B2	1/2" PENSKE	5X12
C2	1/2" PENSKE	20X20.25
A3	3/8" AQUAPLAS	4X12
B3	3/8" AQUAPLAS	6.25X6.5
C3	1/2" AQUAPLAS	3X6
D3	1/2" AQUAPLAS	2X4
E3	1/2" AQUAPLAS	2.75X3.75
F3	1/2" AQUAPLAS	5.5X6.5
H3	1/2" AQUAPLAS	6X10
I3	1/2" AQUAPLAS	3X10
J3	1/2" AQUAPLAS	3X4
K3	1/2" AQUAPLAS	5X5



CHECKED:	DATE:	DRAWN: B.HUTCHINSON	DATE: 06/24/09	SCALE: NONE
APPD:	DATE:	DWG. TITLE:	DIAGRAM, REINF. LOCN. 2200R	
DESIGN:	DATE:			
INT. ENG:	DATE:			

BOAT MODEL	MOLD NO.	SHT. NO.
2200R		1 of 1
INIT. REL. ECN NO:	DWG. NO:	